

T319



ADL200(MID)

Installation and operation instruction T1. 3

Acrel Co., Ltd.

Declaration

The copyright is the property of Acrel. Any information in any paragraph or section cannot be extracted, copied or otherwise reproduced or propagated. Otherwise offenders shall take all consequences.

All rights are reserved.

Acrel reserves the right to modify the product specifications herein without notification. Please consult the local agent about the latest specifications before placing a purchase order.

Contents

1	General.....	- 1 -
2	Function.....	- 1 -
3	Technical parameter.....	- 1 -
4	Outline (unit: mm).....	- 2 -
5	Wiring and installing.....	- 3 -
6	Analysis and elimination of common faults.....	- 3 -
7	Operation and display.....	- 3 -
8	Communication description.....	- 7 -

1 Overview

ADL200 single phase electric meter is designed for single phase active energy measurement on low voltage system, at the same time it can measure the electrical parameters like voltage, current, power and so on. There is also RS485 can be chosen. The electricity meter has advantages of smaller volume, high precision, good EMC, easily installing etc. All meters meet the related technical requirements of electricity meter in the IEC62053-21、IEC62053-22 standards.

2 Function

Function	Function description	Function provide
Measurement of energy	Single-phase active kWh (positive and negative)	■
Measurement of electrical parameters	Voltage, Current, Active power, Reactive power, Apparent power, Power factor and Frequency	■
LCD Display	8 bits section LCD display	■
Key programming	3 keys to set parameters like code, address, baud rate and other parameters	■
Pulse output	Active energy pulse output	■
Multi-tariff	Date and Time 3 months historical energy data frozen storage Adapt 4 time zones, 4 time interval lists, 14 time interval by day and 4 tariff rates	● ^F
Communication	Communication interface: RS485, Communication protocol: MODBUS-RTU	■ ^C

(■: Standard; ●: Optional)

3 Technical parameter

3.1 Electric performance

Input voltage	Reference voltage	AC 230V
	Reference frequency	50Hz
	Power consumption	<10VA
Input current	Reference current	0.5-10(80)A
	Consumption	<4VA
Measurement performance	Accuracy of measuring	Class B
	Range of measuring	000000.00~42949672.95kWh
Clock accuracy		Error≤0.5s/d

Active pulse	Pulse width	80±20ms
	Pulse constant	1000imp/kWh
Communication	Interface	RS485(A+, B-)
	Connection mode	Shielded twisted pair conductors
	Protocol	MODBUS-RTU

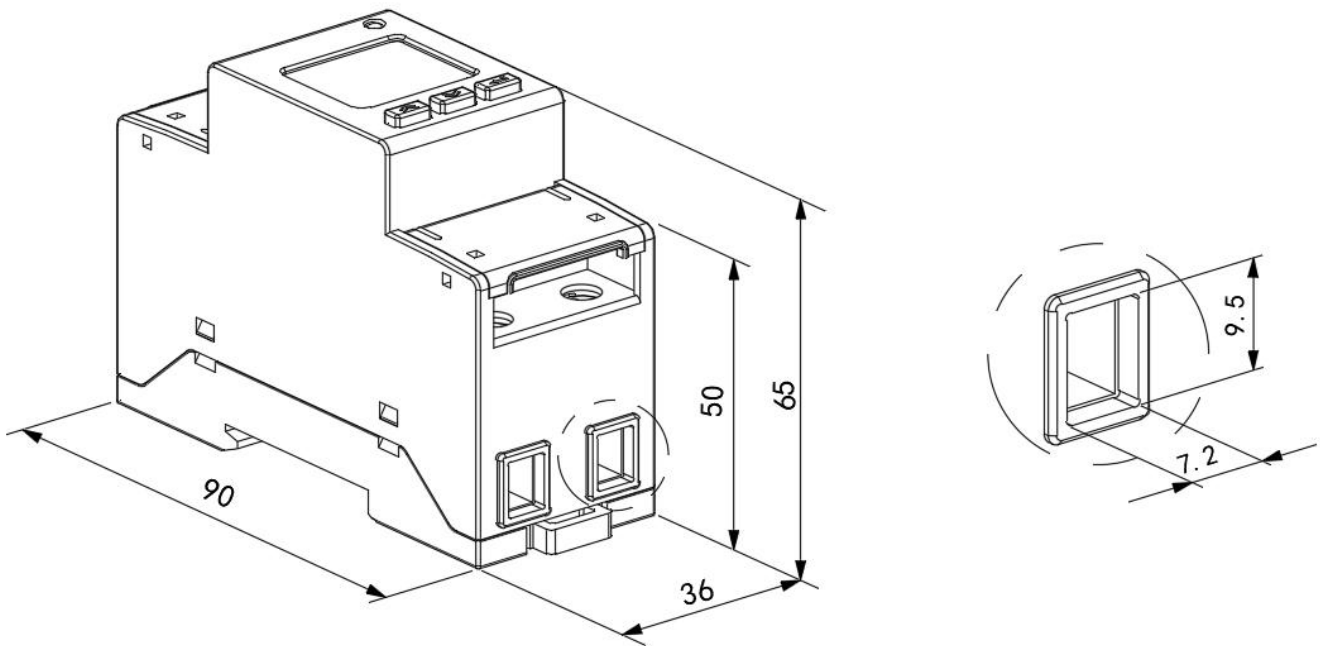
3.2 Mechanical performance

Outline	Length × Width × Height	90mm×36mm×65mm
Strong current terminal Torque	<1.8Nm	

3.3 Work environment

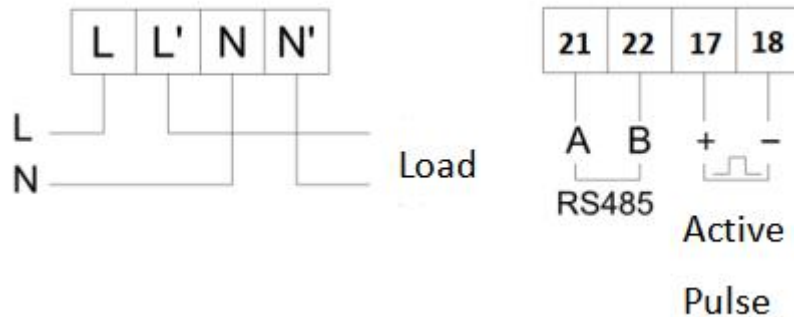
Temperature range	Work temperature	-25℃ to +55℃
	Storage Temperature	-40℃ to +70℃
Relative humidity	≤95%(No condensation)	
Altitude	<2000m	

4 Outline (unit: mm)



Meter outlook and size

5 wiring and installing



6 Diagnosis, analysis and elimination of common faults

6.1 Auxiliary power failure

Failure performance: the meter flashes or does not light up after being powered on.

Troubleshooting:

1. Check whether the wiring is consistent with the wiring diagram of the instrument, and whether the wiring is loose or falling off.
2. Use a multimeter to measure whether the input voltage value is within the normal working voltage range of the instrument.

6.2 Signal input failure

Failure performance: After the meter is powered on, the display power or energy count is not accurate.

Troubleshooting: Switch the display interface of the meter to the power (active P, power factor) interface, check whether the power display is negative and whether the power factor is between 0.8-0.95, and then check whether the input and output of the current signal line are reversed (That is, the incoming line of the current must be consistent with the incoming end of the instrument), and consistent with the wiring on the meter.

6.3 communication failure



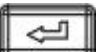
Failure performance: After the meter is powered on, it cannot communicate with the host computer normally.

Troubleshooting:

1. The voltage value between the communication output A and B of the measuring instrument should be between +(4.4-4.5)V.
2. Check whether the communication wiring method is correctly wired according to the wiring diagram (that is, the communication terminal A/B of the instrument should correspond to the communication serial port A/B).




7 Operation and display

7.1 Key description

Key icon	Key name	Key function
	Key up	View voltage and current in the view interface. Up and flashing shift in the programming interface.
	Key down	View power in the view interface. Scroll down and modify flashing bits in the programming interface.
	Key setting	View electrical energy in the viewing interface. Long press 3S to enter/exit the menu. Short press OK in the programming interface to save the settings.

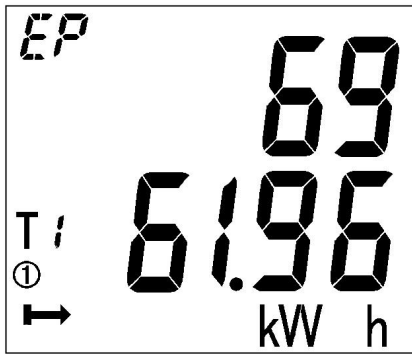
7.2 display description

Show total energy when connected. Change information while pressing down key. Display information as following:

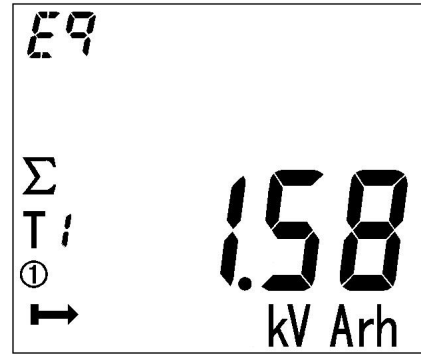
	U、I、F、Time、MODBUS Address、Baud、parity、Meter Number with six digits high and six digits low、Version、CRC、ALL—display;
	Total active power、total reactive power、total apparent power、total power factor;
	Total active energy, forward active total energy, reverse active total energy, total active spike energy, total active peak energy, total active flat energy, total active valley energy, total reactive energy, forward reactive total energy, reverse total reactive energy, total reactive spike energy, total reactive peak energy, total reactive flat energy, total reactive valley energy.

Note:

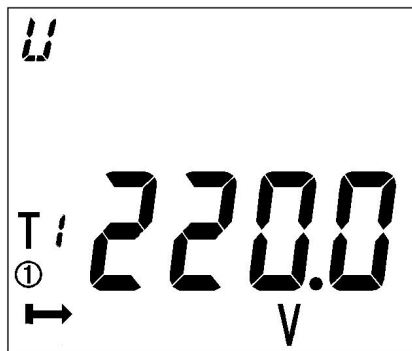
- Listed above are the names of all display interfaces of the ADL200 meter with multi-tariff rate function. Three buttons can switch different types of display content, the switching sequence is as described above.
- For the ADL200 meter without the multi-tariff rate function, it does not display the date, time and various types of time-sharing energy (the energy in the four rate periods of sharp, peak, flat and valley).
- T1, T2, T3, and T4 in the display interface represent the four rates respectively, sharp, peak, flat and valley, and ① indicates the current running time table.
- The arrow represent the DIR settings, from left to right means that DIR is set to 0; if the arrow is from right to left, it indicates that DIR is set to 1.



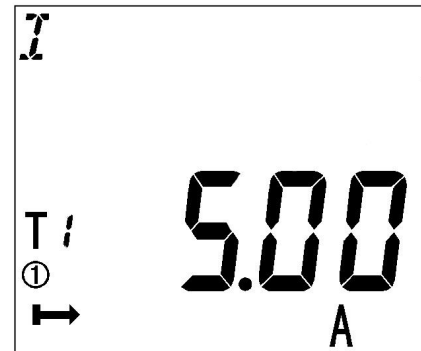
Current total active energy(6961.96kWh)



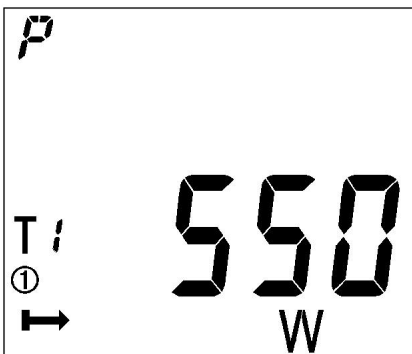
Current total reactive energy



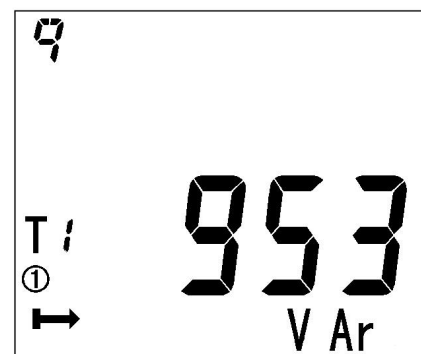
Voltage



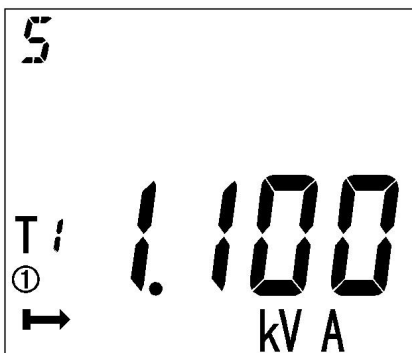
Current



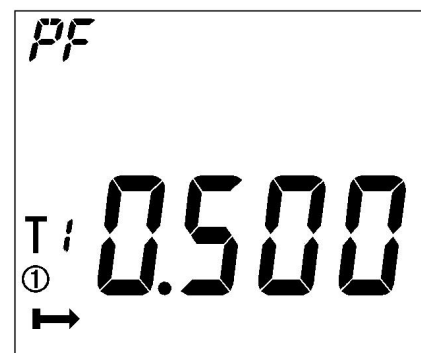
Current total active power 550W



Current total reactive power 953var





Current total apparent power 1.100kVA

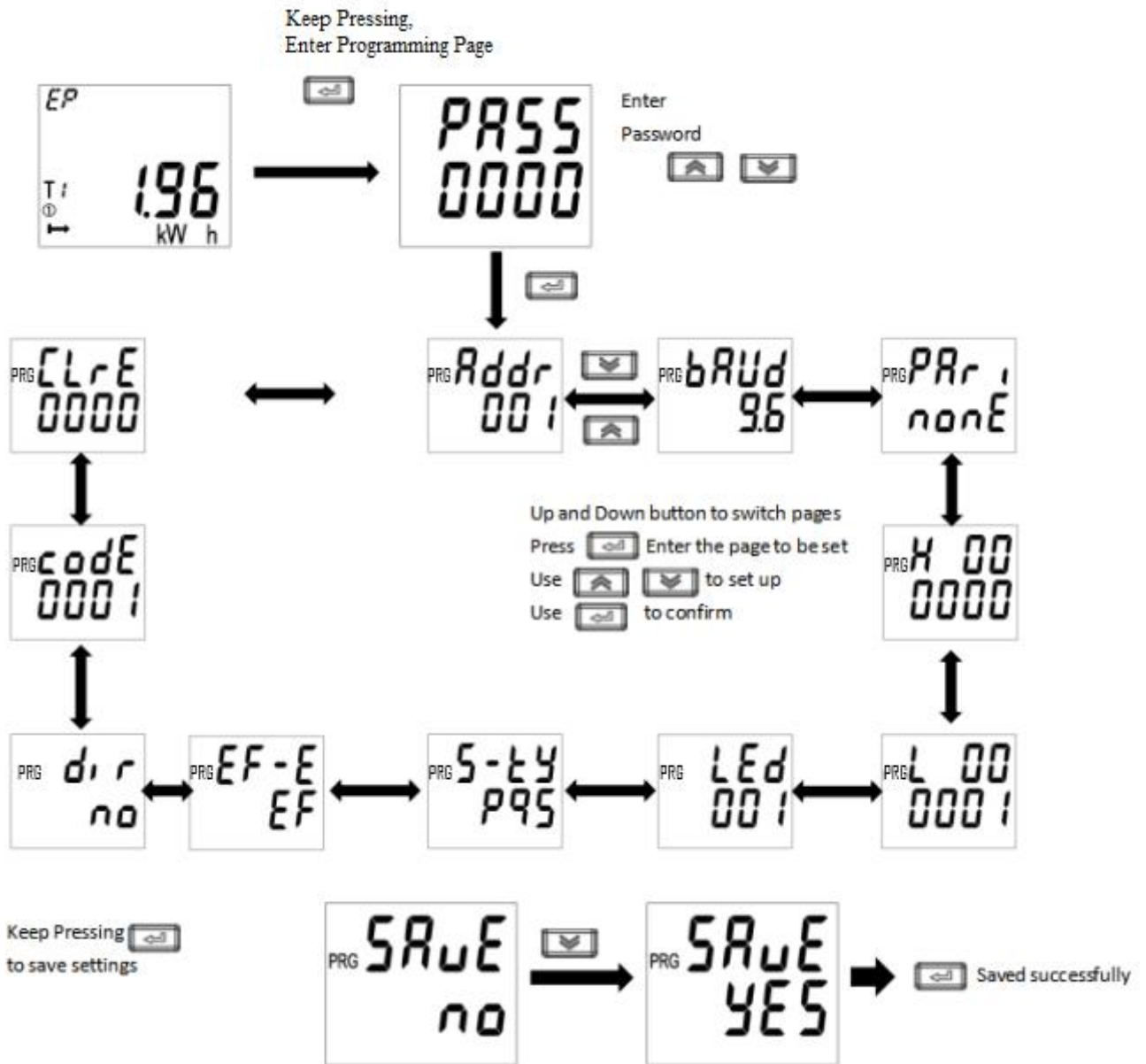


Current total power factor 0.500

Note, the above is just a part of the display interface. The display mode of other interfaces is similar to the above figure. You can judge the display meaning according to the information displayed on the interface.

7.3 Programming display menu

Press  at any main menu and get in **PRSS** interface, and then press  show **P-0000**, and enter the code. If you enter a wrong code, it will show “0000” and enter the code again; and if you enter a right code, you can set the parameter. After setting the parameter, it will show **SRUE** and save the change by pressing **5-YES** and quit without save by pressing **5-NO**.



7.4 Items can be set

Setting items description

Mum	Secondly menu		
	Symbol	Meaning	Range
1	ADDR	Communication address	1-247
2	Baud	Baud setting	1200、2400、4800、9600、19200、38400

3	Pari	Parity setting	None、Odd、 Even
4	LED	Background light setting	0-255 minutes, 0- ever bright
5	S-TY	Apparent power calculation	PQS,RMS
6	EF-E	Set multi-tariff	EF-YES E-NO
7	DIR	Current direction	no-forward yes-reverse
8	CoDE	Code setting	1-9999

8 Communication description

8.1 Communication protocol

The meters adapt Modbus-RTU. Please refer to the relevant standards for more information. **The multi-tariff data mean nothing when multi-tariff function (F) is not applied.**

8.2 MODBUS Address list

Address	Variable	Length	Attributes	Note
0000H	Current combined total active energy	4	R	Uin32 unit: 0.01kWh
0002H	Current combined spike active energy	4	R	
0004H	Current combined peak active energy	4	R	
0006H	Current combined flat active energy	4	R	
0008H	Current combined valley active energy	4	R	
000AH	Code	2	R/W	
000BH	Voltage	2	R	unit: 0.1V
000CH	Current	2	R	unit: 0.01A
000DH	Active power	2	R	unit: 0.001kW
000EH	Reactive power	2	R	unit: 0.001kvar
000FH	Apparent power	2	R	unit: 0.001kVA
0010H	power factor	2	R	unit: 0.001
0011H	Frequency	2	R	unit: 0.01Hz
0012H	Year, month	2	R/W	
0013H	Day, hour	2	R/W	
0014H	Minute, second	2	R/W	
0015H	Address	1	R/W	1~247
0015H	Communication baud rate	1	R/W	00:1200 01:2400 02:4800 03:9600 04:19200 05:38400
0016H	light time	2	R/W	0-255
0017H~ 0021H	Reserve			

0022H	Total active energy of last month	4	R	Uint32 unit: 0.01kWh
0024H	Spike active energy of last month	4	R	
0026H	Peak active energy of last month	4	R	
0028H	Flat active energy of last month	4	R	
002AH	Valley active energy of last month	4	R	
002CH	Total active energy of last 2 month	4	R	
002EH	Spike active energy of last 2 month	4	R	
0030H	Peak active energy of last 2 month	4	R	
0032H	Flat active energy of last 2 month	4	R	
0034H	Valley active energy of last 2 month	4	R	
0036H	Total active energy of last 3 month	4	R	
0038H	Spike active energy of last 3 month	4	R	
003AH	Peak active energy of last 3 month	4	R	
003CH	Flat active energy of last 3 month	4	R	
003EH	Valley active energy of last 3 month	4	R	
0040H~ 0044H	Reserve			
0045H	Control status	2	R/W	Bit0:0-E-no, 1-EF-YES; Bit1:0-forward, 1-reverse; Bit3: 0-PQS 1-RMS.
0046H~ 0047H	Reserve			
0048H	Parity	2	R/W	0000:None 0001:Odd 0002:Even
0049H~ 004BH	Reserve			
004CH~ 004FH	Serial Number	4	R/W	SN[14] The last eight bits make up 0.
0050H~ 0067H	Reserve			
0068H	Current forward active total energy	4	R	Uint32 unit: 0.01kWh
006AH	Current forward active spike energy	4	R	
006CH	Current forward active peak energy	4	R	
006EH	Current forward active flat energy	4	R	
0070H	Current forward active valley energy	4	R	
0072H	Current reversing active total energy	4	R	
0074H	Current reversing active spike energy	4	R	
0076H	Current reversing Active peak energy	4	R	
0078H	Current reversing active flat energy	4	R	
007AH	Current reversing Active valley energy	4	R	

007C~0 0AFH	Reserve			
00B0H	Current total reactive energy	4	R	Uint32 unit: 0.01kvarh
00B2H	Current spike reactive energy	4	R	
00B4H	Current peak reactive energy	4	R	
00B6H	Current flat reactive energy	4	R	
00B8H	Current valley reactive energy	4	R	
00BAH	Current forward reactive total energy	4	R	
00BCH	Current forward reactive spike energy	4	R	
00BEH	Current forward reactive peak energy	4	R	
00C0H	Current forward reactive flat energy	4	R	
00C2H	Current forward reactive valley energy	4	R	
00C4H	Current reversing reactive total energy	4	R	
00C6H	Current reversing reactive spike energy	4	R	
00C8H	Current reversing reactive peak energy	4	R	
00CAH	Current reversing reactive flat energy	4	R	
00CCH	Current reversing reactive valley energy	4	R	
00CEH~ 52FFH	Reserve			
5300H	Voltage	4	R	Float Note that the units of power are W, var and VA.
5302H	Current	4	R	
5304H	Active power	4	R	
5306H	Reactive power	4	R	
5308H	Apparent power	4	R	
530AH	power factor	4	R	
530CH	Frequency	4	R	
530EH- F008H	Reserve			
F009H	Device model	2	R	A200(HEX)

Headquarters: Acrel Co., LTD.

Address: No.253 Yulv Road Jiading District, Shanghai, China

TEL.: 0086-21-69158338 0086-21-69156052 0086-21-59156392 0086-21-69156971

Fax: 0086-21-69158303

Web-site: www.acrel-electric.com

E-mail: ACREL008@vip.163.com

Postcode: 201801

Manufacturer: Jiangsu Acrel Electrical Manufacturing Co., LTD.

Address: No.5 Dongmeng Road,Dongmeng industrial Park, Nanzha Street,Jiangyin City,Jiangsu Province,China

TEL: 0086-510-86179966

Fax: 0086-510-86179975

Web-site: www.jsacrel.com

Postcode: 214405

E-mail: sales@email.acrel.cn